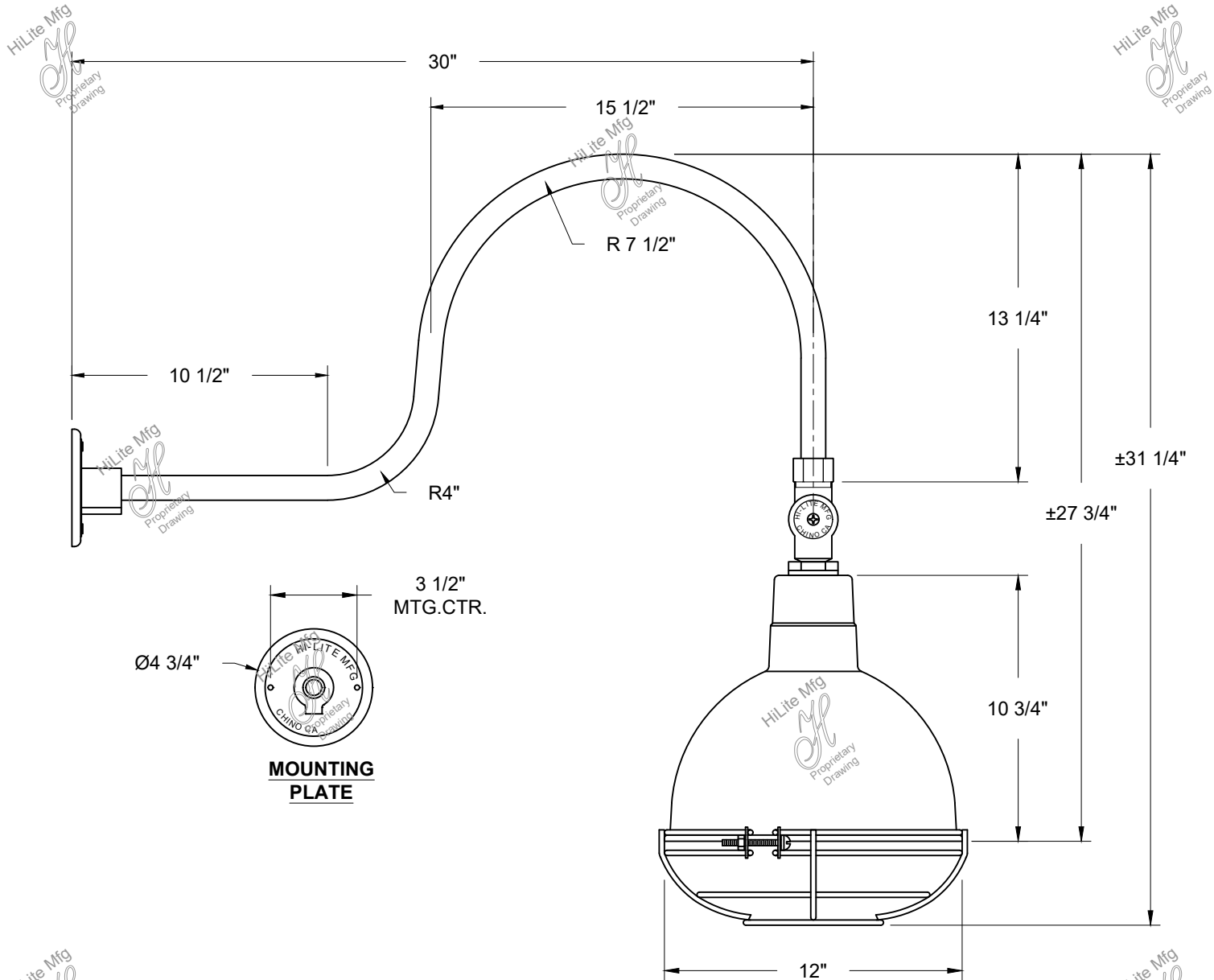




HI-LITE MFG. CO., INC.

13450 Monte Vista Avenue
 Chino, California 91710
 Telephone: (909) 465-1999
 Toll Free: (800) 465-0211
 Fax: (909) 465-0907
 www.hilitemfg.com

| | | |
|-------------------|-------|-------|
| JOB NAME: | | |
| SCALE: N.T.S. | DATE: | TYPE: |
| DRAWN BY: S.M. | QTY: | |
| SHEET: | | REV: |



MOUNTING PLATE



WET LOCATION

| Item Number | Wattage | Voltage |
|--|---------|---------|
| H-QSN16112-SA/QSNHL-C/QSNSK-QSNWGR-12" | 200W | 120V |

Finish
 91-Black, 93-White, 96-Galvanized,
 145-Oil Rubbed Bronze

Mounting
 Wall Mount

Lamp/Socket
 1-Medium Base INC

***Confidential and Proprietary. The information contained on this page is the sole property of Hi-Lite Mfg. Co., Inc. Any reproduction, redistribution, or use to profit from in part or as a whole without prior written authorization of Hi-Lite Mfg. Co., Inc. is unlawful, against trade laws and will be prosecuted to the fullest extent.